

Datasheet

Touch Tree

Part No: 100425



About the product

The Loxone Touch Tree has five touch points to operate the most important functions of a room. The large central touch zone is ideal for controlling lighting, while the corner zones are suitable for controlling music and blinds. The Loxone button standard is used here. A sensor for measuring temperature and humidity is also integrated.

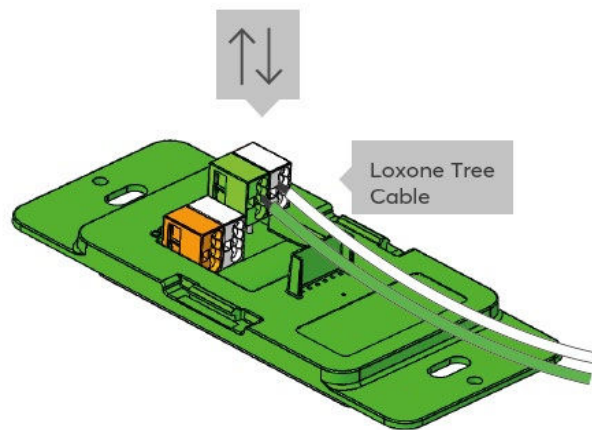
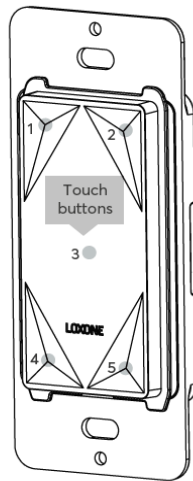
Technical Data

| | |
|-----------------------------|--|
| Power Supply | 6 ... 30VDC |
| Power Consumption | typ. 89mW, max. 121mW |
| Power Loss | max. 121mW |
| Ambient Temperature | -20 ... 70°C / -4 ... 158°F |
| Humidity | max. 95% r.H. (non condensing) |
| Touch Points | 5 Touch Points, capacitive touch detection |
| Click Feedback | Yes |
| Temperature Detection Range | -40 ... 125°C / -40 ... 257°F; +/- 0.5°C / 0.9°F |
| Humidity Detection Range | 0 ... 100% r. H. +/- 2%, (non condensing) |

Connections

| | |
|------------------------|---|
| Wire cross-section | 0.25 ... 0.8mm ² / AWG23 ... AWG18 |
| Stripping Length | 5mm / 0.2" |
| Temperature Resistance | -40 ... +105°C / -40 ... +221°F |
| Orange / White | +24V / GND |
| Green / White | Loxone Tree |

Connection Diagram

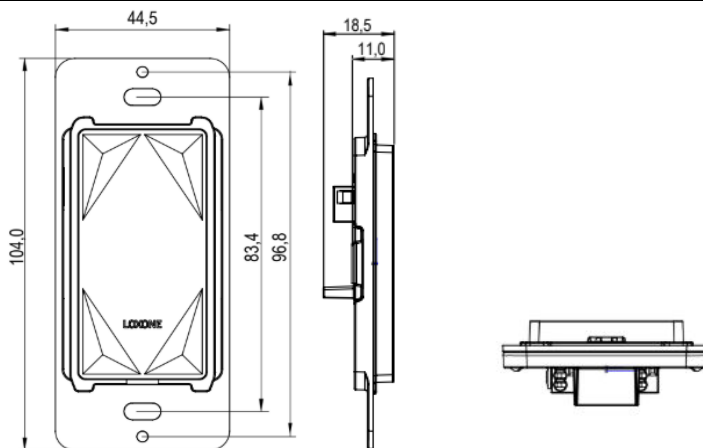


Product Characteristics

| | |
|---------|----------------|
| Colours | White: RAL9003 |
| Finish | Matte |

Weight & Dimensions

| | |
|--------------------|---|
| Net weight | 35g |
| Total weight | 59g |
| Product dimensions | 104x44.5x18.9mm / 4.09x1.75x0.74" (LxWxH) |



| | |
|-----------|---------------------------------------|
| Pack size | 115x80x28mm / 4.53x3.15x1.10" (LxWxH) |
|-----------|---------------------------------------|

Certifications & Standards

Safety Rating

IP30

Certifications

UL 62368-1

CSA 62368-1



Installation must be carried out by a qualified electrician in accordance with the relevant regulations.

Published by
Loxone Electronics GmbH

Smart Home 1
4154 Kollerschlag
Austria
Tel: +43 7287 7070-0
loxone.com